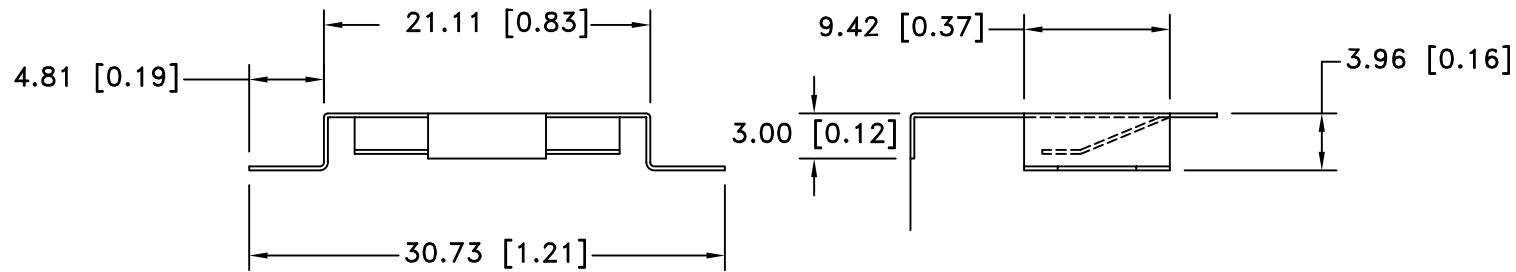
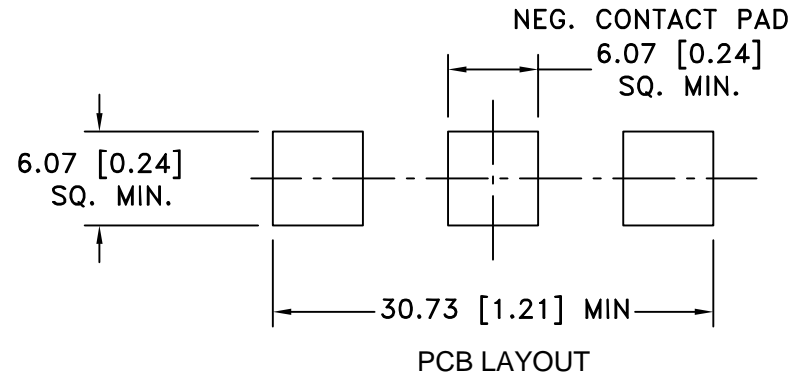
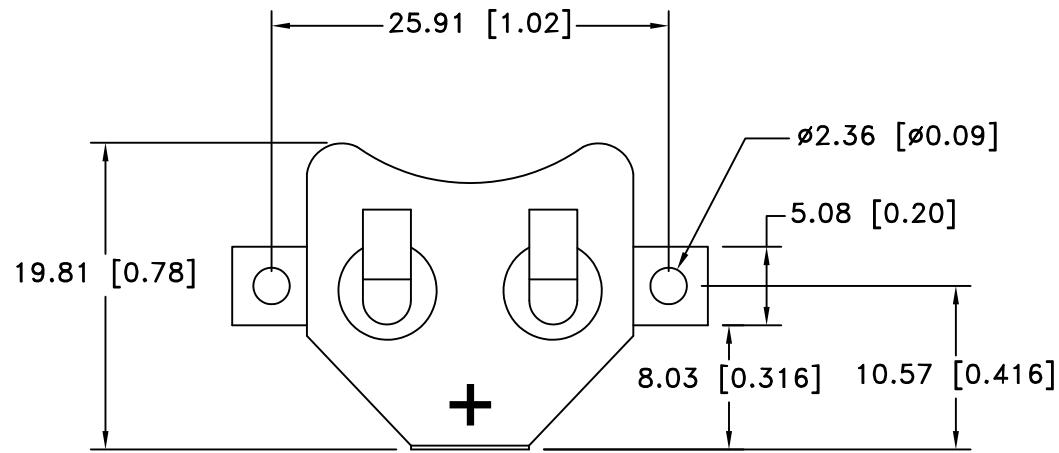



Date	SYM	REVISION RECORD	AUTH	DR.	CK.
10/02/04	A	REVISED DRAWING	T.B.	B.S.	
1/07/06	B	ADDED "ROHS COMPLIANT"	T.B.	B.S.	
3/03/07	C	ADDED DIM. 8.03 AND 10.57	T.B.	B.S.	
1/11/08	D	ADDED DIM. 25.91	T.B.	B.S.	
10/10/08	E	UPDATED PCB LAYOUT	T.B.	B.S.	



NOTES:

- MATERIAL:
0.25mm PHOSPHOR BRONZE, NICKLE PLTD.
- ROHS COMPLIANT

Tolerance (Except as noted)	 Memory Protection Devices, Inc 200 Broad Hollow Road, Farmingdale, New York 11735	Scale	Drawn By B.S.
			Approved By T.B.
decimal ±.5 (.020)	Title COIN CELL RETAINER FOR 20mm DIA. BATTERIES		
Fractional ± .8 (.030)		Date 10/10/08	Drawing Number BK-883
Angular ± 3°			

CELL SIZE	RETAINS BATTERY NUMBERS
20mm	BR2016, CR2016, DL2016, BR2020, CL2020, BR2025, CR2025, DL2025, DR2032, CR2032, DL2032